

FLY

The smallest and
most accurate passive
infrared motion sensor



Detection

- **Very high accuracy** of the detection zone
- **Homogeneous lobe** independent of the external temperature conditions ; detection guaranteed even when the background temperature is close to that of the human body
- **Insensitive to air currents** and any sudden temperature variation
- **Detection zone can be adjusted** accurately by means of a masking lens
- **Insensitive to external interference** such as rain, snow, etc...
- **Very fast response time**
- **Low thermal remanence** of the Pyro element sensor after detection (no memory effect)

Technology

- **Electronics controlled by a microprocessor** that, through a digital treatment, provides an optimal sensitivity an efficient thermal compensation as well as a high immunity against interference
- **Precision optics** perfectly delimiting the detection zone and increasing the sensitivity of the sensor
- **P.I.R. sensor** with four independent zones which gives an identical sensitivity in all directions
- **Enhanced immunity against vibrations.** Thanks to the use of a pyroelectric sensor from the last generation, the FLY is also immune to GSM interference
- **Injected lens** which offers better mechanical resistance to vandalism

Adjustments for universal use

Adjustment of the size of the detection zone is carried out by cutting out segments of the masking lens. Electronic adjustments are performed by means of DIP switches

Style

- The miniaturized size of the **FLY** offers a minimal visual impact and allows easy mounting in cramped places. Its robustness gives it vandal-proof protection
- The **FLY** becomes even more unobtrusive when mounting in the ceiling in its **FLYUP** version using its **FCA** accessory
- Integrated in its **FSA** accessory for which the key words are aestheticism and impermeability, and surface mounted, the **FLYCATCHER** created in this way will appeal to the most demanding architects

with precision optics and digital signal processing

Passive infrared motion sensor allowing the opening of small pedestrian doors with easy adjustment of the detection zone. Its small size makes it possible to conceal it completely inside a door profile. The FLY can also be integrated into a cover allowing surface mounting.

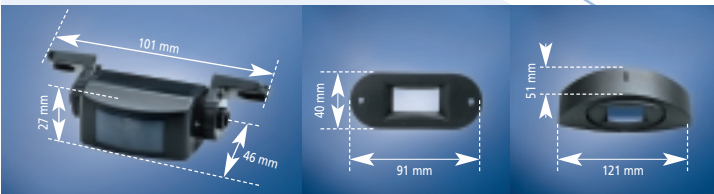


Description

- 1 connector
- 2 bracket
- 3 LED
- 4 dip-switches
- 5 PYRO element
- 6 cover
- 7 masking lens

Accessories

- 1. accessory for recessed mounting **FCA**
- 2. accessory for surface mounting **FSA**



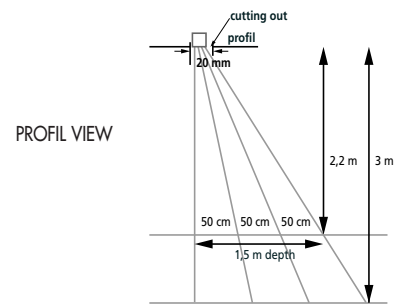
Dimensions

Technical specifications

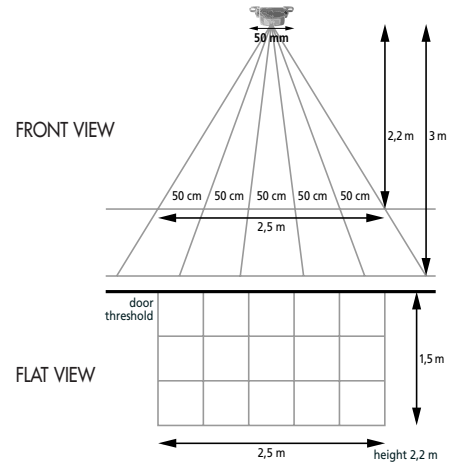
Technology	passive infrared with microprocessor
Mounting height - variable	max 2,5 m x 1,5 for a mounting height of 2,2 m
Maximum mounting height	3 m
Power supply	12-24 V AC (50/60 Hz) -10/+10 % 12-24 V DC -10/+30 %
Power consumption	< 10 mA (20 mA if the output relay is activated)
Output relay	potential free contact NO/NC 1 A / 75 V DC OR 50 V AC
Warm up time	10 s
Relay hold time	0,5 s or 2s
Response time	max 200 ms
Detection speed	0,1 to 1,5 m/s
Dip-switches adjustments	<ul style="list-style-type: none"> • sensitivity : ON = high - OFF = low • relay working mode : ON = passive - OFF = active • output hold time : ON = 2,0 sec - OFF = 0,5 sec
Optical characteristics	passive infrared with four elements 15 Fresnel lenses with full independent masking possibilities
Connection	small 5 plug-in contacts connector
Cable section (recommended)	0,2 to 0,5 mm
Light indicator	1 red LED
Operating temperature	-30°C to +55°C
Weight	40g
Dimensions	101 mm (L) x 46 mm (D) x 27 mm (H)
Colour	anthracite grey or white
Immunity	immune to electrical and radio frequency interference according to EC 89/336/CEE and 92/31/CEE
FCA	
Dimensions	91 mm (L) x 40 mm (H)
Colour	anthracite grey, white or alu finishing
FSA	
Dimensions	121 mm (L) x 51 mm (H)
Colour	gris anthracite, blanc ou alu
Degree of protection	IP 54 (UV resistant)

Sensing fields

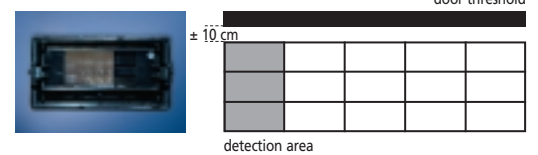
STANDARD SENSING FIELDS



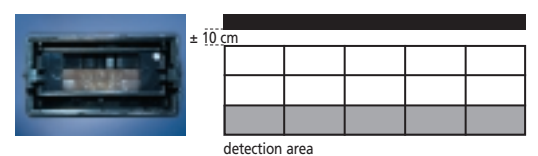
For automatic doors with large sensing fields or automatic doors where shopping carts or trolleys are used, it is recommended to use B.E.A. EAGLE range



ASYMMETRICAL SENSING FIELD



SHORTER DEPTH



Application



Subject to modifications

