



# MAGIC SWITCH CHROMA

Touchless opening sensor for automatic doors



## APPLICATIONS



## TECHNOLOGY

Radar



## DESCRIPTION

The **MAGIC SWITCH CHROMA** is a touchless opening sensor for automatic doors. One hand motion in front of the sensor opens the door, completely contactless. Therefore, it is the perfect knowing act sensor for applications where hygiene is essential: hospitals, clean rooms, hotels & restaurants, pharmaceutical industries, airports, logistics and retail.

## VIDEO

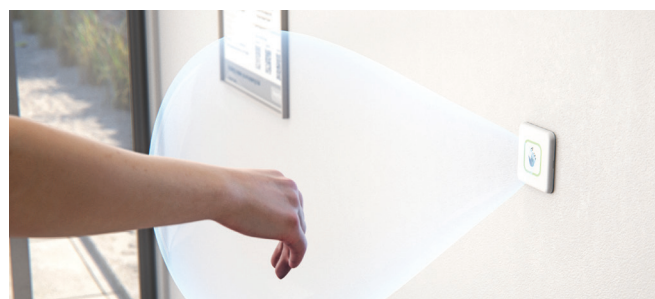


Discover the product video on our youtube channel **BEA Sensors Europe**  
<https://bit.ly/3qo96YE>



### Touchless & hygienic

Opening solution reducing touchpoints in public spaces. A built-in silicone seal makes the product completely hermetic and the antimicrobial front face limits the spread of germs, bacteria and fungi.



### Multicolour LED & audio signal

With many possible configurations of LED colour, brightness and animation, the **MAGIC SWITCH CHROMA** offers great user experience. In addition, the audio feedback adds comfort for the visually impaired.



### Designed for every environment

Thanks to a discrete design, a high degree of protection (IP65) and flush or surface mounting possibilities, the **MAGIC SWITCH CHROMA** blends into any environment and is easy to install and keep clean.



### Variety of applications

Touchless opening of any automatic door, comfort for people with disabilities, foot switch and many more. Moreover, the **MAGIC SWITCH CHROMA ADV** is equipped with an external signal input which allows for even more applications like door lock functions in public restrooms.

## PRODUCT RANGE



MAGIC SWITCH CHROMA - RECESSED



MAGIC SWITCH CHROMA - SURFACE



MAGIC SWITCH



STD	02.0887 00000-00xx	02.0887 00000-01xx	02.0887 00000-02xx	02.0887 00000-03xx
ADV*	02.0892 00000-00xx	02.0892 00000-01xx	02.0892 00000-02xx	02.0892 00000-03xx

\* including audio signal, external input & extra settings



STD	02.0888 00000-00xx	02.0888 00000-01xx	02.0888 00000-02xx	02.0888 00000-03xx
ADV*	02.0893 00000-00xx	02.0893 00000-01xx	02.0893 00000-02xx	02.0893 00000-03xx

\* including audio signal, external input & extra settings



02.0886 00000-00xx	02.0886 00000-01xx
-----------------------	-----------------------

\* including 2 stickers



## ACCESSORIES



FRONT FACE	02.0897 00000-0010	02.0897 00000-0007	02.0897 00000-0002	02.0897 00000-0004
------------	-----------------------	-----------------------	-----------------------	-----------------------



FRONT FACE	02.0897 00000-0011	02.0897 00000-0008	02.0897 00000-0003	02.0897 00000-0005
------------	-----------------------	-----------------------	-----------------------	-----------------------



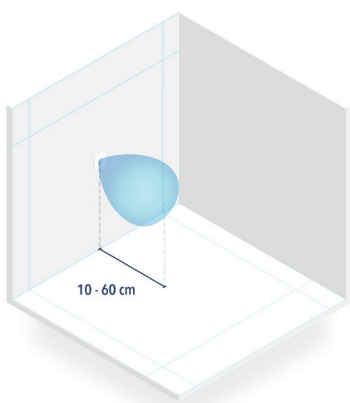
FRONT FACE	02.0897 00000-0009	02.0897 00000-0006
------------	-----------------------	-----------------------



SURFACE MOUNT	02.0897 00000-0001	STICKERS	02.0897 00000-0012
---------------	-----------------------	----------	-----------------------

xx = depending on language selection for user's guide

## TECHNICAL SPECIFICATIONS



<b>Technology</b>	Microwave motion sensor
<b>Radiated frequency</b>	24.150 GHz
<b>Radiated power</b>	< 20 dBm EIRP
<b>Radiated power density</b>	< 5mW/cm <sup>2</sup>
<b>Detection field size</b>	+/- 10 to 60 cm if movement towards sensor at 90° (adjustable)
<b>Detection mode</b>	Motion (bidirectional)
<b>Speed of target to create detection</b>	Min. 5Hz or +/- 3cm/s, Max. 200Hz or +/- 1.2m/s
<b>Supply voltage</b>	12 - 24V AC +/- 10% 12 - 24V DC +30% / - 10%
<b>Mains frequency</b>	50 - 60 Hz
<b>Power consumption</b>	< 1.5W
<b>Output</b>	Electronic relay (galvanic isolation - polarity free) Max voltage: 42V AC/DC Max current: 100 mA
<b>Output holdtime</b>	0.5s (in PULSE mode)
<b>Temperature range</b>	-20°C to +55°C
<b>Degree of protection</b>	MAGIC SWITCH: IP54 MAGIC SWITCH CHROMA: IP65 (if front face and seal mounted on a smooth surface)
<b>Material</b>	PMMA / PC MAGIC SWITCH CHROMA front face is treated with biomaster silver biocide tested to ISO 22196:2011. Please use biocides responsibly
<b>Recommended wiring cable</b>	Stranded cable up to 16 AWG - 1.5mm <sup>2</sup>

**DISCLAIMER** Information is supplied upon the condition that the persons receiving it will make their own determination as to its suitability for their purposes prior to use. In no event will BEA be responsible for damages of any nature whatsoever resulting from the use of or reliance upon information from this document or the products to which the information refers. BEA has the right without liability to change descriptions and specifications at any time.

WWW.BEASENSORS.COM



BEA s.a. / LIEGE Science Park / Allée des Noisetiers 5 / 4031 Angleur • BELGIUM  
T +32 (0)4 361 65 65 / F +32 (0)4 361 28 58 / E info-eu@beasensors.com

A Halma company